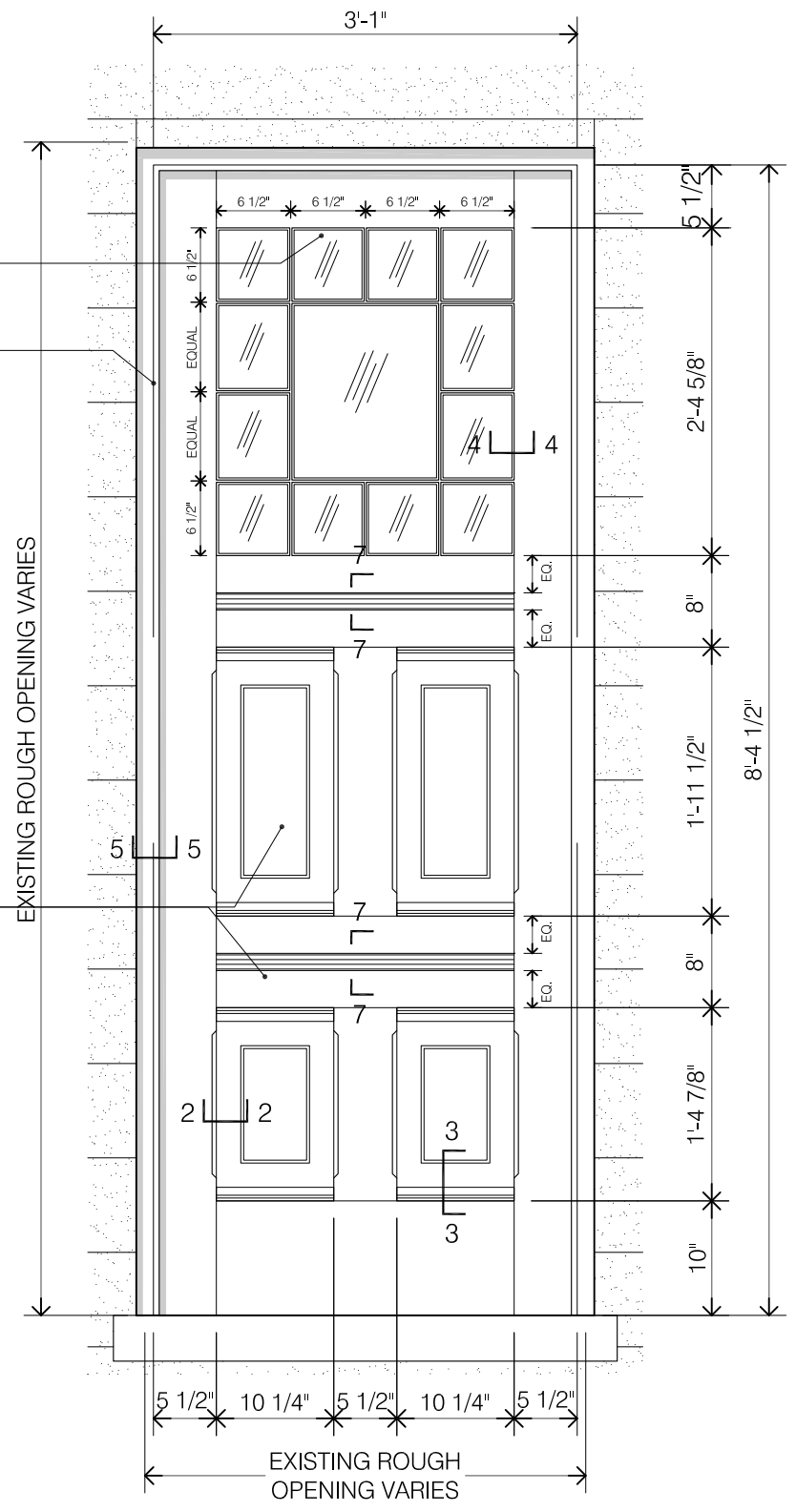
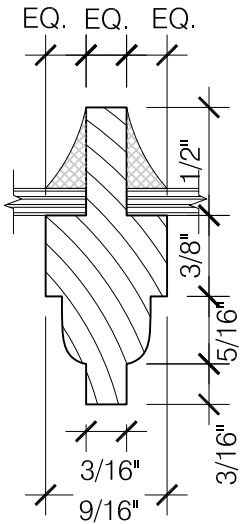


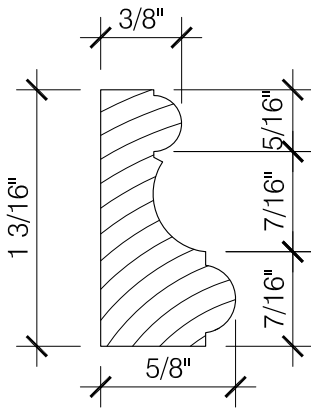
DIMENSIONS ARE TO BE USED AS GUIDE TO THE GENERAL PROPORTION OF THE DOOR. CONTRACTOR TO VERIFY ALL EXISTING CONDITIONS AND DIMENSIONS AND MAKE ADJUSTMENTS AS REQUIRED



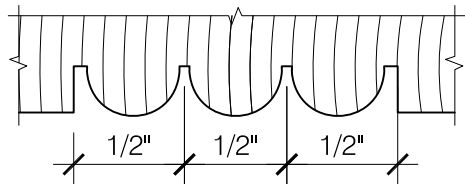
**GENERAL NOTES:**  
THIS DRAWING ILLUSTRATES THE PERCEIVED ORIGINAL DESIGN INTENT OF THE DOOR TYPE NOTED BELOW, AND IS TO BE REFERENCED ONLY AS A GUIDE IN PREPARATION OF FABRICATION DRAWINGS FOR DOOR REPLACEMENT. VERIFICATION OF ALL EXISTING SITE CONDITIONS, DIMENSIONS AND APPLICABLE CODES IS THE RESPONSIBILITY OF THE FABRICATOR, INSTALLER OR OWNER. ALL PERFORMANCE CRITERIA AND OPERATIONAL CHARACTERISTICS ARE TO BE DETERMINED BY THE OWNER. THIS DRAWING IS NOT FOR CONSTRUCTION.



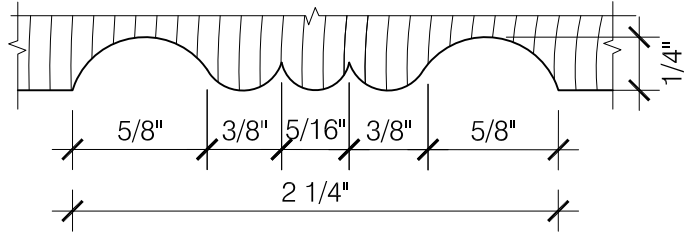
**9 MUNTIN DETAIL**  
SCALE: 1'-0" = 1'-0"



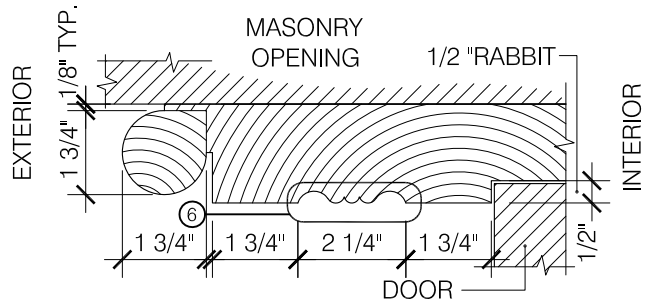
**8 PANEL STOP DETAIL**  
SCALE: 1'-0" = 1'-0"



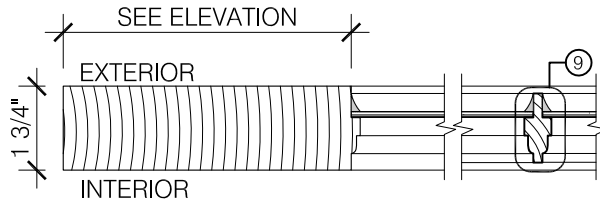
**7 SCROLL DETAIL AT PANEL**  
SCALE: 1'-0" = 1'-0"



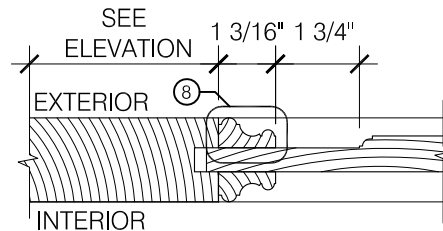
**6 SCROLL DETAIL AT JAMB**  
SCALE: 1'-0" = 1'-0"



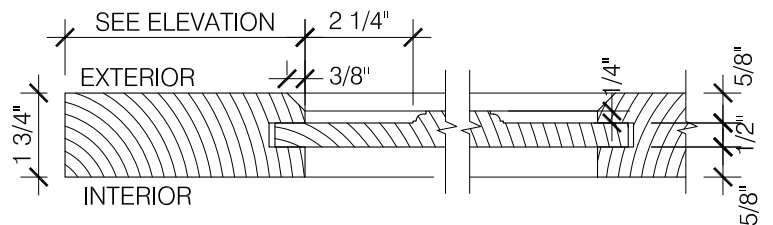
**5 SECTION AT BRICK MOLD AND JAMB**  
SCALE: 3" = 1'-0"



**4 SECTION AT RAIL/STILE AND GLASS**  
SCALE: 3" = 1'-0"



**3 SECTION AT RAIL AND PANEL**  
SCALE: 3" = 1'-0"



**2 SECTION AT STILE AND PANEL**  
SCALE: 3" = 1'-0"

**GENERAL NOTES:**

THIS DRAWING ILLUSTRATES THE PERCEIVED ORIGINAL DESIGN INTENT OF THE DOOR TYPE NOTED BELOW, AND IS TO BE REFERENCED ONLY AS A GUIDE IN PREPARATION OF FABRICATION DRAWINGS FOR DOOR REPLACEMENT. VERIFICATION OF ALL EXISTING SITE CONDITIONS, DIMENSIONS AND APPLICABLE CODES IS THE RESPONSIBILITY OF THE FABRICATOR, INSTALLER OR OWNER. ALL PERFORMANCE CRITERIA AND OPERATIONAL CHARACTERISTICS ARE TO BE DETERMINED BY THE OWNER. THIS DRAWING IS NOT FOR CONSTRUCTION.