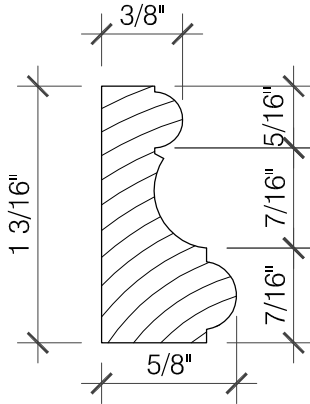


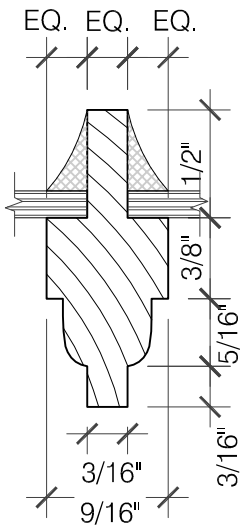
**TYP. ENLARGED CORNER DETAIL**

SCALE: 3" = 1'-0"



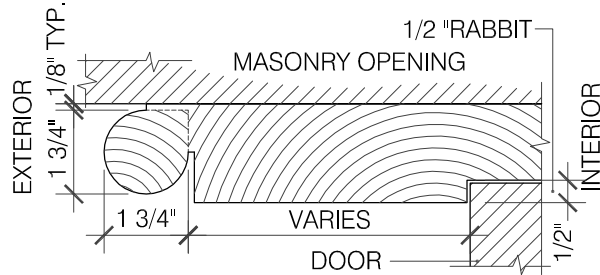
**7 PANEL STOP DETAIL**

SCALE: 1'-0" = 1'-0"



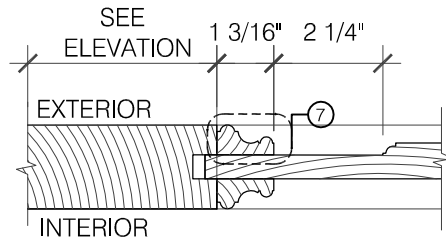
**6 GLASS STOP DETAIL**

SCALE: 1'-0" = 1'-0"



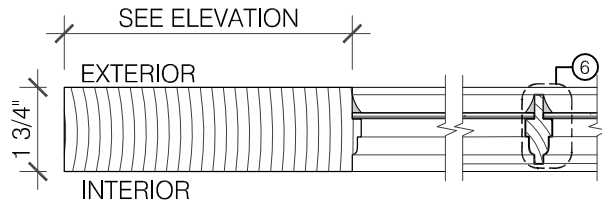
**5 SECTION AT BRICK MOLD AND JAMB**

SCALE: 3" = 1'-0"



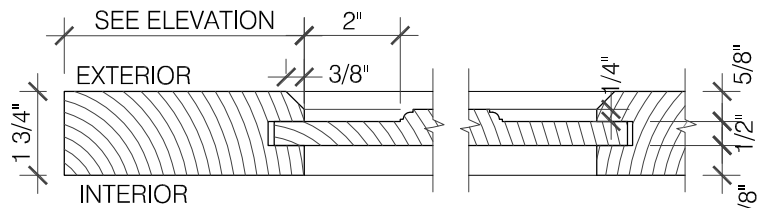
**4 SECTION AT RAIL AND PANEL**

SCALE: 3" = 1'-0"



**3 SECTION AT STILE/RAIL AND GLASS**

SCALE: 3" = 1'-0"



**2 SECTION AT STILE AND PANEL**

SCALE: 3" = 1'-0"

**GENERAL NOTES:**

THIS DRAWING ILLUSTRATES THE PERCEIVED ORIGINAL DESIGN INTENT OF THE DOOR TYPE NOTED BELOW, AND IS TO BE REFERENCED ONLY AS A GUIDE IN PREPARATION OF FABRICATION DRAWINGS FOR DOOR REPLACEMENT. VERIFICATION OF ALL EXISTING SITE CONDITIONS, DIMENSIONS AND APPLICABLE CODES IS THE RESPONSIBILITY OF THE FABRICATOR, INSTALLER OR OWNER. ALL PERFORMANCE CRITERIA AND OPERATIONAL CHARACTERISTICS ARE TO BE DETERMINED BY THE OWNER. THIS DRAWING IS NOT FOR CONSTRUCTION.